


NEW



PRODUCTS HIGHLIGHT 2023

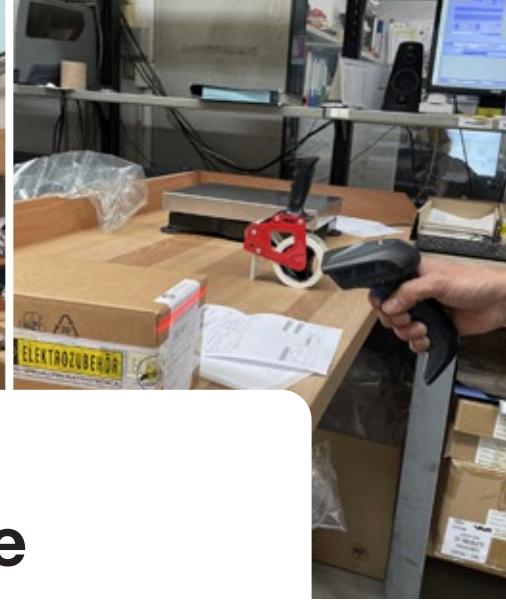


Solutions for cable management.



ELEKTROZUBEHÖR:
More than 65 years
in close contact with the
world of electrotechnics.

www.elektrozubehor.it



ELEKTROZUBEHÖR: The most complete range of electrotechnical products on the market!

Elektrozubehör is an Italian company that specializes in supplying quality products for the electrotechnical market. Since it was founded, Elektrozubehör has been supplying only the best quality products which the world market has to offer, ranging from the simplest to the most particular product in a complete range of sizes, colours, accessories and variations.

Elektrozubehör ensures a flexible and extensive order supply, striving to meet the customers' expectations to the fullest and guaranteeing the supply of any unique custom-made order to fit any unique necessity.

Elektrozubehör also assures the utmost attention and care in every phase, ensures full compliance with most international certifications and regulations and takes into account safety and prevention.

Elektrozubehör has reached a milestone in 2019, celebrating 65 years in business!

A long and eventful experience characterized by its dedication to work, constant commitment, challenges met and continuous targets which have been achieved throughout the years. Elektrozubehör's success is due to its policy of providing high quality products and personalized customer care and encouraging the company's strong and enthusiastic team to continue to be one of the most reliable points of reference for everyone operating in this field for many years to come.

Elektrozubehör has evolved into a dynamic and modern company, addressing the new competitive challenges of the new century and hence guaranteeing the full satisfaction of the customers in both the logistics and the technological field.

In the logistics field, a large and new department was established in Vimodrone (Milan) designed to carry an extensive inventory and enable orders to be processed in a faster and more efficient way. The new department also includes the renovated Point of Sale.

In the technological field, the Internet website has been completely reconstructed and is constantly being improved and renovated providing extensive information and a better surfing experience.

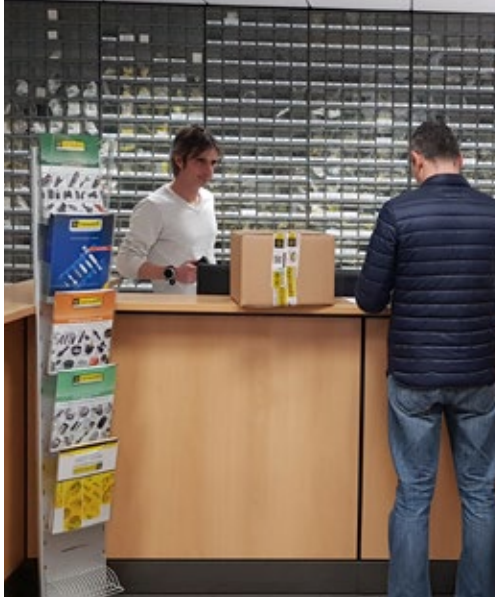
Elektrozubehör complies with the standard **UNI EN ISO 9001:2015** that guarantees an advanced corporate quality management system that strives to achieve a continuous improvement in company's performance and ensures the utmost customer satisfaction.



www.elektrozubehor.it

Scan the QR code
for a fast access to
Elektrozubehör's products.





MORE THAN 30.000
COMPONENTS
AVAILABLE IN STOCK



NEW PRODUCTS
AND UPDATES
AVAILABLE ONLINE



FULL RANGE OF TECHNICAL
ASSISTANCE AND
CONSULTING SERVICES



CATALOGUES
AND SAMPLES DELIVERED
FREE OF CHARGE



FAST DELIVERY
THROUGHOUT
EUROPE



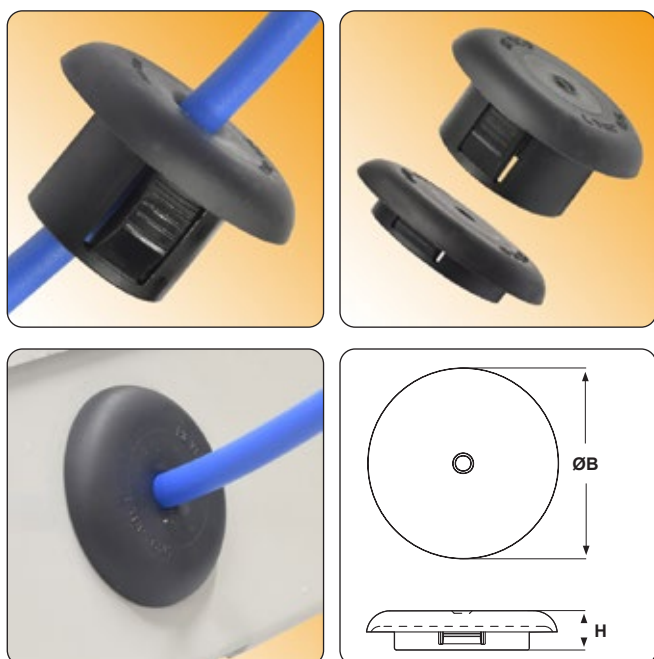
LARGE
WAREHOUSE FACILITY
WITH A POINT OF SALE



Conforme
RoHS

Elektrozubehör is able to support customer requests in compliance with the requirements of the **European Directive 2002/95/CE (RoHS)**.

LIQUID TIGHT IP 68 BREAK-THRU PLUGS - "HEYCO" LINE



Material: polyamide 6/6 and TPE.

Colour: black.

Operating temperature: -40°C / +100°C

IP Protection: IP 67 / IP 68.

Flammability: flame retardant UL94-HB.

Standards and

Certifications: UR, under UL 635.

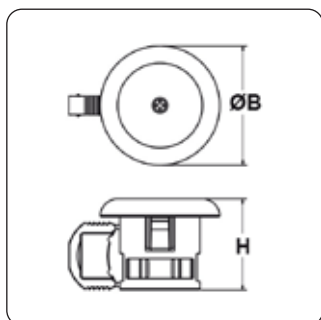
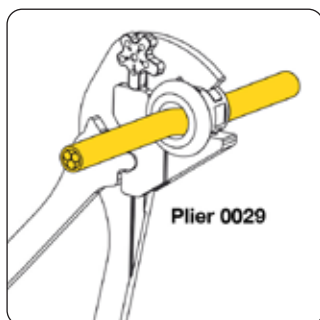
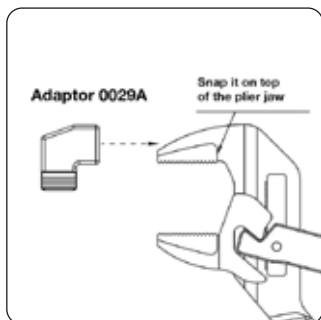
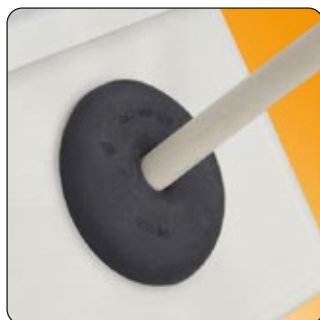
Features: these innovative products can be used, initially, as plugs and later, if pierced by a round cable, as grommets or bushings. The body is made of polyamide 6/6 and the membrane is in TPE, which is a thermoplastic elastomer with excellent characteristics. Whether as plugs or as grommets, even if pierced by a cable (or a tubing) these products offer a liquid tight protection IP 67/68. As grommets they guarantee excellent insulation and mechanical protection to electrical and telecommunication cables, tubings, hoses, ropes, and utility lines. They snap into holes with fingertip pressure and they are characterized by locking fingers in fractional increments up to the maximum panel thickness. They can be mounted in panels with a thickness varying between 0,5 mm and 6,4 mm.



Type: LTBP

ARTICLE	cable Ø min - max mm	mounting hole Ø mm	wall thickness mm	ØB mm	H mm	pack pcs
LTBP 500-063	2 - 5,1	12,7	0,5 - 1,6	23,4	8,1	100
LTBP 625-063	3,3 - 9,5	15,9	0,5 - 1,6	26,2	8,1	100
LTBP 750-063	4,4 - 10,2	19,1	0,5 - 1,6	29,2	8,1	100
LTBP 875-063	3,3 - 11,4	22,2	0,5 - 1,6	32,5	8,1	100
LTBP 1000-063	5,1 - 18,2	25,4	0,5 - 1,6	36,3	8,1	100
LTBP 1093-063	6,4 - 19,4	27,8	0,5 - 1,6	38,9	8,1	100
LTBP 500-250	2 - 5,1	12,7	1,6 - 6,4	23,4	15,9	100
LTBP 625-250	3,3 - 9,5	15,9	1,6 - 6,4	26,2	15,9	100
LTBP 750-250	4,4 - 10,2	19,1	1,6 - 6,4	29,2	15,9	100
LTBP 875-250	3,3 - 11,4	22,2	1,6 - 6,4	32,5	15,9	100
LTBP 1000-250	5,1 - 18,2	25,4	1,6 - 6,4	36,3	15,9	50
LTBP 1093-250	6,4 - 19,4	27,8	1,6 - 6,4	38,9	15,9	50
LTBP 1375-250	7,6 - 24,1	34,9	1,6 - 6,4	45,7	17	50
LTBP 1500-250	9,5 - 26,9	38,1	1,6 - 6,4	49	17	50

LIQUID TIGHT IP 68 STRAIN RELIEF BUSHINGS WITH PRE-ASSEMBLY TO THE CABLE - "HEYCO" LINE



Material: polyamide 6/6 with upper membrane in TPE.

Colour: white, light grey RAL 7035, black (the colour refers only to the upper membrane because the body remains black).

Operating temperature: -20°C / +100°C

IP Protection: IP 65 / IP 66 / IP 67 / IP 68.

Flammability: flame retardant and self-extinguishing UL94-V0.

Standards and

Certifications: c-UL-us approved under UL 514B.

Features: innovative and patented strain relief bushings with low profile design (height above panel is less than 4,8 mm). They offer high tensile strength and IP 68 protection, both comparable to cable glands. The body is made of polyamide 6/6 and the membrane is in TPE, which is a thermoplastic elastomer with excellent characteristics.

They offer the advantage to be pre-assembled to the cable, by means of a locking key integrated to the strain relief bushing, and to be installed in the panel at a later time or in a remote location, thus saving on installation costs.

For assembling to the cable, just pierce the membrane of the bushing, insert cable through the bushing, break with your hands the locking key from the body and insert that key in the special pocket of the bushing by lightly pressing with your fingers; then, with a regular hand plier crimp down the locking key in order to perfectly lock the cable. To achieve successful crimp height, each time the key clicks into the body release pressure on the plier handle and re-engage to continue on to the desired locking position. In each pack you can find the plastic plier adaptor 0029A that, once it is snapped on top of the plier jaw, helps the crimping of the locking key.

For mass assembly, it is advisable to buy the special plier 0029 that has been specifically designed for crimping these strain relief bushings.

These strain relief bushings meet the UL strain relief requirements without bending or kinking the cable. They have smooth and rounded interior edges for ease of installation. They can be easily and quickly installed by a snap-in installation in 22,2 mm diameter holes.

Scan the QR code to access the video of this product



Type: LTBSR

ARTICLE	description	colour	cable Ø min - max mm	mounting hole Ø mm	ØB mm	H mm	wall thickness mm	pack pcs
LTBSR 875-094-330 WHITE	strain relief bushing	white	7,1 - 8,4	22,2	32,8	25,1	0,8 - 2,4	50
LTBSR 875-094-330 GREY	strain relief bushing	grey	7,1 - 8,4	22,2	32,8	25,1	0,8 - 2,4	50
LTBSR 875-094-330 BLACK	strain relief bushing	black	7,1 - 8,4	22,2	32,8	25,1	0,8 - 2,4	50
LTBSR 875-188-330 WHITE	strain relief bushing	white	7,1 - 8,4	22,2	32,8	25,1	3,2 - 4,8	50
LTBSR 875-188-330 GREY	strain relief bushing	grey	7,1 - 8,4	22,2	32,8	25,1	3,2 - 4,8	50
LTBSR 875-188-330 BLACK	strain relief bushing	black	7,1 - 8,4	22,2	32,8	25,1	3,2 - 4,8	50
LTBSR 875-094-440 WHITE	strain relief bushing	white	8,4 - 11,2	22,2	32,8	25,1	0,8 - 2,4	50
LTBSR 875-094-440 GREY	strain relief bushing	grey	8,4 - 11,2	22,2	32,8	25,1	0,8 - 2,4	50
LTBSR 875-094-440 BLACK	strain relief bushing	black	8,4 - 11,2	22,2	32,8	25,1	0,8 - 2,4	50
LTBSR 875-188-440 WHITE	strain relief bushing	white	8,4 - 11,2	22,2	32,8	25,1	3,2 - 4,8	50
LTBSR 875-188-440 GREY	strain relief bushing	grey	8,4 - 11,2	22,2	32,8	25,1	3,2 - 4,8	50
LTBSR 875-188-440 BLACK	strain relief bushing	black	8,4 - 11,2	22,2	32,8	25,1	3,2 - 4,8	50
0029	special plier	-	-	-	-	-	-	1
0029A	plier adaptor	-	-	-	-	-	-	10

ADVANTAGES OF STRAIN RELIEF BUSHINGS RDD LOCKIT FOR PRE-ASSEMBLY - "HEYCO" LINE

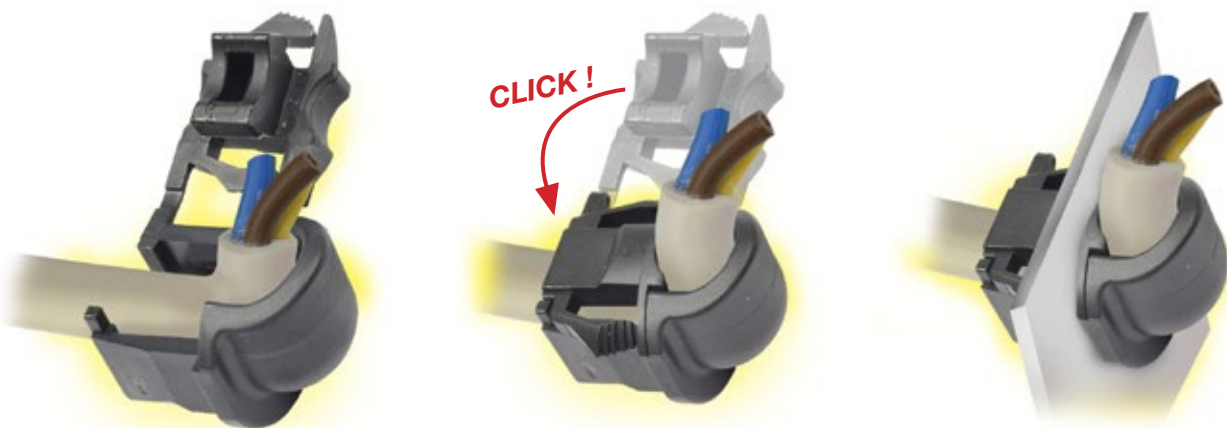
STRAIGHT-THRU STRAIN RELIEF BUSHINGS RDD LOCKIT



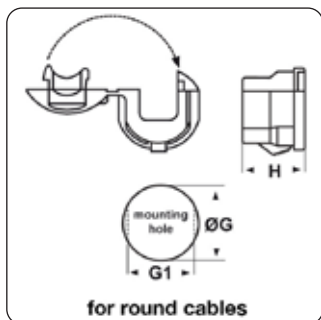
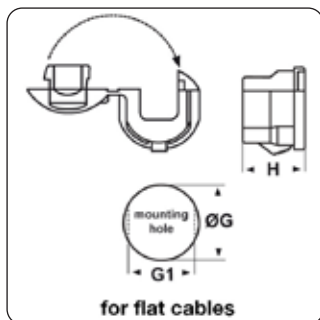
PIGTAIL STRAIN RELIEF BUSHINGS RDD LOCKIT



RIGHT ANGLE 90° STRAIN RELIEF BUSHINGS RDD LOCKIT



STRAIGHT-THRU STRAIN RELIEF BUSHINGS RDD LOCKIT FOR PRE-ASSEMBLY - "HEYCO" LINE



Material: polyamide 6/6.

Colour: black.

Operating temperature: -18°C / +105°C

Flammability: flame retardant and self-extinguishing UL94-V2.

Standards and Certifications: UR, CSA.

Features: Assembly friendly! Independent of insertion into the panel, RDD Lockit strain reliefs self-lock onto the cable. Preassembly RDD Lockits off line for final assembly at a later time or remote location, for lower installed cost!

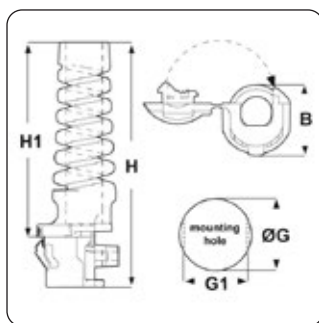
Install easily with fingertip pressure into a standard round (ØG) or Double D hole (G1). No tools required, even for hand assembly. Protect the lifeline of your electric/electronic products by absorbing the forces of push and pull that may be exerted on the flexible power cord. Double D design eliminates the possibility of part rotation under forces of twist. Multiple panel locking steps secure Lockit strain reliefs into a wide range of panel thicknesses for a flush, finished fit. These strain reliefs are offered in the two configurations: for round cables and for flat cables. Our special tool PINZA RDD or PRESSA RDD speed assembly of the RDD onto the cable and thus lowers costs while greatly reducing risk of carpal tunnel syndrome. Corresponding special "DOUBLE" plugs, type DD, can be used to fill blank/unused mounting holes and thus allow for a single panel design for multiple applications.

On request: for quantity, consult us for white colour or for other customized colours on sample.

Type: RDD (lockit for pre-assembly)

ARTICLE	description	for cables mm	ØG mm	G1 mm	H mm	wall thickness mm	pack pcs
RDD 101A	for round cables	3,3 - 5,3	15,9	14	14	0,8 - 2,5	500
RDD 101	for round cables	5,6 - 7,4	15,9	14	14	0,8 - 2,5	500
RDD 201	for round cables	7,4 - 9,8	22,2	19,6	18,3	0,8 - 4	500
RDD 201-2	for round cables	7,4 - 9,8	22,2	19,6	18,3	2 - 3,4	500
RDD 6N-2	for round cables	7,6 - 8,4	15,9	14	15,5	max 1,6	500
RDD 301	for round cables	8,6 - 10,9	22,2	19,6	18,3	0,8 - 4	500
RDD 301-2	for round cables	8,6 - 10,9	22,2	19,6	18,3	2 - 3,4	500
RDD 401	for round cables	10,7 - 11,4	22,2	19,6	18,3	0,8 - 4	500
RDD 401-2	for round cables	10,7 - 11,4	22,2	19,6	18,3	2 - 3,4	500
RDD 501	for round cables	13,5 - 15,2	28,2	25,4	23,1	1,6 - 4,8	300
RDD 601	for round cables	15,2 - 17,8	28,2	25,4	31,8	1,6 - 4,8	300
RDD 701	for round cables	18,3 - 21,1	31,8	28,6	33,3	1,6 - 4,8	500
RDD 100A	for flat cables	2,7x5,6 / 2,9x8	15,9	14	14	0,8 - 2,5	500
RDD 100	for flat cables	2,9x8 / 4,1x7,6	15,9	14	14	0,8 - 2,5	500
RDD 200	for flat cables	3,8x8,6 / 3,8x10,2 / 4,1x9,4 / 4,1x10,4 / 4,8x8,9 / 4,8x9,9 / 5,1x9,4 / 5,1x10,9 / 6,1x10,7	22,2	19,6	18,3	0,8 - 4	500
RDD 200-2	for flat cables	3,8x8,6 / 3,8x10,2 / 4,1x9,4 / 4,1x10,4 / 4,8x8,9 / 4,8x9,9 / 5,1x9,4 / 5,1x10,9 / 6,1x10,7	22,2	19,6	18,3	2 - 3,4	500
RDD 510	for flat cables	3,8x8,6 / 3,8x10,2 / 4,1x9,4 / 4,1x10,4 / 4,8x8,9 / 4,8x9,9 / 5,1x9,4 / 5,1x10,9 / 6,1x10,7	28,2	25,4	23,4	1,6 - 4,8	500

PIGTAIL STRAIN RELIEF BUSHINGS RDD LOCKIT FOR PRE-ASSEMBLY - "HEYCO" LINE



Material: polyamide 6/6.

Colour: black.

Operating temperature: -18°C / +105°C

Flammability: flame retardant and self-extinguishing UL94-V2.

Standards and Certifications: UR, CSA.

Features: Assembly friendly! Independent of insertion into the panel, RDD Lockit strain reliefs self-lock onto the cable. Preassemble RDD Lockits off line for final assembly at a later time or remote location, for lower installed cost!

Integral nylon spring eases the cable into a lazy bend; prevents kinking and assures longest cable and product life. Designed to pass CSA's 50,000 cycle vacuum cleaner test (C22.2 No. 67) and UL's 859 specification for Household Electric Personal Grooming Appliances Cord Flexing Test. Install easily with fingertip pressure into a standard round (ØG) or Double D hole (G1). No tools required, even for hand assembly. Protect the lifeline of your electric/electronic products by absorbing the forces of push and pull that may be exerted on the flexible power cord. Double D design eliminates the possibility of part rotation under forces of twist. Multiple panel locking steps secure Lockit strain reliefs into a wide range of panel thicknesses for a flush, finished fit. These strain reliefs are offered in the two configurations: for round cables and for flat cables. Our special tool PINZA RDD or PRESSA RDD speed assembly of the RDD onto the cable and thus lowers costs while greatly reducing risk of carpal tunnel syndrome. Corresponding special "DOUBLE" plugs, type DD, can be used to fill blank/unused mounting holes and thus allow for a single panel design for multiple applications.

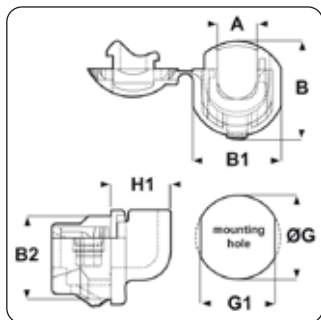
On request: for quantity, consult us for white colour or for other customized colours on sample.



Type: RDD (lockit for pre-assembly)

ARTICLE	description	for cables mm	B mm	ØG mm	G1 mm	H mm	H1 mm	wall thickness mm	pack pcs
RDD 101-7	for round cables	5,6 - 7,4	18	15,9	14	54,7	43,5	0,8 - 2,5	500
RDD 100A-7	for flat cables	2,7x5,6 / 2,9x8	18	15,9	14	54,7	43,5	0,8 - 2,5	500
RDD 100-7	for flat cables	2,9x8 / 4,1x7,6	18	15,9	14	54,7	43,5	0,8 - 2,5	500

RIGHT ANGLE 90° STRAIN RELIEF BUSHINGS RDD LOCKIT FOR PRE-ASSEMBLY - "HEYCO" LINE



Material: polyamide 6/6.

Colour: black.

Operating temperature: -18°C / +105°C

Flammability: flame retardant and self-extinguishing UL94-V2.

Standards and

Certifications: UR, CSA.

Features: Assembly friendly! Independent of insertion into the panel, RDD Lockit strain reliefs self-lock onto the cable. Preassemble RDD Lockits off line for final assembly at a later time or remote location, for lower installed cost!

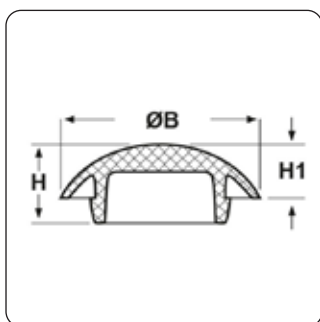
Right angle 90° design eases the cable into the bend, prevents kinking and assures longest cable and product life. Install easily with fingertip pressure into a standard round (ØG) or Double D hole (G1). No tools required, even for hand assembly. Protect the lifeline of your electric/electronic products by absorbing the forces of push and pull that may be exerted on the flexible power cord. Double D design eliminates the possibility of part rotation under forces of twist. Multiple panel locking steps secure Lockit strain reliefs into a wide range of panel thicknesses for a flush, finished fit. These strain reliefs are offered in the two configurations: for round cables and for flat cables. Our special tool PINZA RDD or PRESSA RDD speed assembly of the RDD onto the cable and thus lowers costs while greatly reducing risk of carpal tunnel syndrome. Corresponding special "DOUBLE" plugs, type DD, can be used to fill blank/unused mounting holes and thus allow for a single panel design for multiple applications.

On request: for quantity, consult us for white colour or for other customized colours on sample.

Type: RDD (lockit for pre-assembly)

ARTICLE	description	for cables mm	A mm	B mm	B1 mm	B2 mm	ØG mm	G1 mm	H1 mm	wall thickness mm	pack pcs
RDD 101A-90	for round cables	3,3 - 5,3	7,1	17,4	16,4	15,2	15,9	14	11,4	0,8 - 2,5	500
RDD 101-90	for round cables	5,6 - 7,4	7,1	17,4	16,4	15,2	15,9	14	11,4	0,8 - 2,5	500
RDD 201-90	for round cables	7,4 - 9,8	11,2	24,4	23,4	22,1	22,2	19,6	14	0,8 - 4	500
RDD 301-90	for round cables	8,6 - 10,9	11,2	24,4	23,4	22,1	22,2	19,6	15,7	0,8 - 4	500
RDD 100A-90	for flat cables	2,7x5,6 / 2,9x8	7,1	17,4	16,4	15,2	15,9	14	9,7	0,8 - 2,5	500
RDD 100-90	for flat cables	2,9x8 / 4,1x7,6	7,1	17,4	16,4	15,2	15,9	14	9,7	0,8 - 2,5	500
RDD 200-90	for flat cables	3,8x8,6 / 4,1x9,4 / 3,8x10,2 / 4,1x10,4 / 4,8x8,9 / 4,8x9,9 / 5,1x9,4 / 5,1x10,9 / 6,1x10,7	11,2	23,9	23,4	22,1	22,2	19,6	12,7	0,8 - 4	500

LIQUID TIGHT IP 66 TPE HOLE PLUGS - "HEYCO" LINE



Material: TPE, hardness Shore 85 Sh A.

Colour: black.

Operating temperature: -60°C / +135°C

IP Protection: IP 66, Nema 4 and 4X.

Flammability: flame retardant and self-extinguishing UL94-V0.

Standards and Certifications: UL, UR, CSA.

Features: with a convex head, these plugs are oil tight, rain tight and submersible. They are UL certified for outdoor applications and certified for NEMA 4 and 4X applications. Install with fingertip pressure (no tool required).



Type: KOS-LT (TPE, HEYCO line)

ARTICLE	mounting hole Ø mm	max wall thickness mm	ØB mm	H mm	H1 mm	pack pcs
KOS-LT 500*	12,7	3,2	23,1	11,4	7,4	250
KOS-LT 625*	15,9	3,2	26,2	11,9	7,9	250
KOS-LT 750*	19,1	3,2	29,2	13	8,9	250
KOS-LT 1/2**	22,2	3,2	32,5	13,5	9,1	100
KOS-LT 1/2 LD***	22,2	3,2	32,5	13,5	9,1	-
KOS-LT 1000*	25,4	3,2	35,8	14,2	10,2	100
KOS-LT 3/4**	27,8	3,2	38,6	14	10,2	50
KOS-LT 3/4 LD***	27,8	3,2	38,6	14	10,2	-
KOS-LT 1**	34,9	3,2	45,2	14,5	10,7	50
KOS-LT 1 LD***	34,9	3,2	45,2	14,3	10,7	-

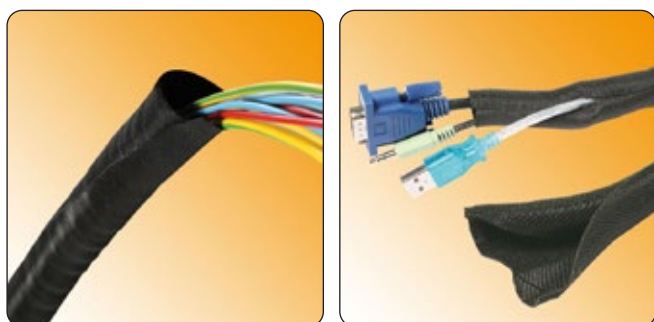
*Article UR certified.

**Article UL certified.

***Article made of a softer TPE with hardness Shore 75 Sh A, UL certified. For quantity, consult us for grey colour.

FOR THE ARTICLES WITH NO QUANTITY PER PACK DETAILS PLEASE CONTACT OUR SALES OFFICE.

PLASTIC SELF-CLOSING SPLIT BRAIDED SLEEVING



Material: PET.

Colour: black.

Operating temperature: -50°C / +150°C

Flammability: flame retardant and self-extinguishing UL94-V0.

Features: very flexible, extremely lightweight, self-extinguishing and halogen-free, the innovative braided sleeving PLIOSIL-WS is open along its entire length and, once the cables are inserted inside, it closes by itself with a self-wrapping solution, holding and protecting your cables. It allows easy and fast insertion of cables without the need of any tool and it is chosen especially for the protection of already connected cables and connectorised cables. It offers optimal mechanical protection, it allows quick removal for maintenance or additional cable insertion and, thanks to the excellent flexibility, it bends and conforms to irregular shapes without stiffening the cable harnesses. You can easily cut it with normal scissors or with our HOT-WIRE CUTTING MACHINES which cut and simultaneously weld the end of the braided sleeving wires.

On request: it is available a petrol and mineral oils resistant sleeving, certified to EN 45545-2 HL3, NFPA 130 and NFF 16-101 I2 F2 for use in the railway environment.

Scan the QR code
to access the video
of this product



Type: WS (UL94-V0)

ARTICLE	internal Ø mm	pack mt.
WS005	5	100
WS008	8	100
WS010	10	100
WS013	13	50
WS016	16	50
WS019	19	25
WS025	25	25
WS029	29	25
WS032	32	25
WS038	38	25
WS050	50	25

SNAP-IN CABLE GLANDS WITH INNOVATIVE FIXING SYSTEM - "EZ" LINE

Material: body in Polyamide 6 UV resistant (plastic cable glands) / nickel-plated brass (metal cable glands), sealing and O-Ring in chloroprene.

Colour: light grey RAL 7035, dark grey RAL 7001, black RAL 9005 (plastic cable glands).

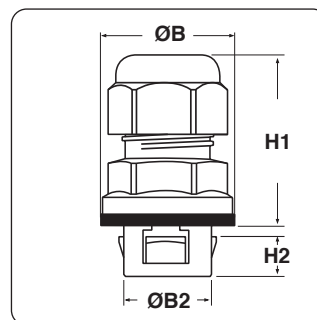
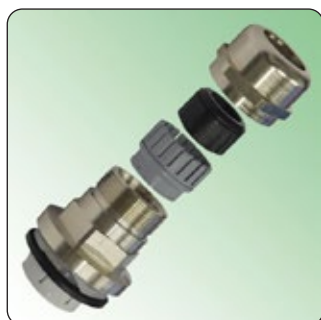
Sealing: -S (for lamellar clamping), -CP (multi-layered "onion" sealing).

Operating temperature: -20°C / +100°C (short term -30°C / +150°C)

IP Protection: IP 66 / IP 68, Type 4X (UL 50E).

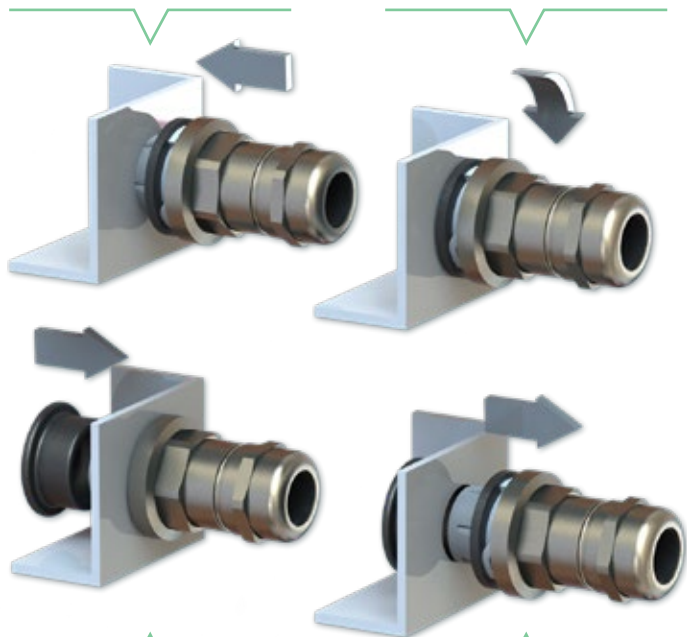
Flammability: flame retardant and self-extinguishing UL94-V2.

Standards and Certifications: VDE (EN 62444), UL (UL 514B, CSA C22.2 Nr. 18.3-12 e 94.2-15), CSA (CSA C22.2), DNV (EN 62444).



Insert the
snap-in
cable gland...

..then push and turn to
lock the cable gland on
the wall.



For disassembling push
the specific tool on the
snap...

...and extract the cable
gland from the hole.

- They do not require locknuts or threaded holes; they are fixed with a quick and easy snap fit.
- Innovative wall fixing system by PUSHING and TURNING clockwise the cable gland to lock it on the wall.
- Faster installation than a traditional cable gland.
- Lamellar clamping cable glands, manufactured according to DIN EN 62444/50262 and very performing both for strain relief and for IP protection.
- Available in 5 sizes, for mounting holes with diameter from 16 to 40 mm.
- For wall thickness: 0,5 - 4 mm.
- For disassembling use the specific SPI tool, available in 5 sizes and sold separately.
- On request: plastic cable glands in colours blue RAL 5015, white RAL 9003 or red RAL 3020.

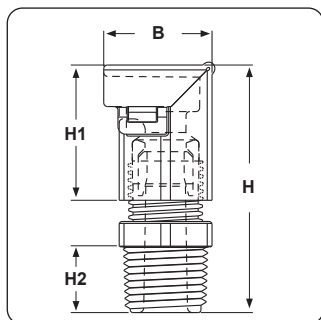
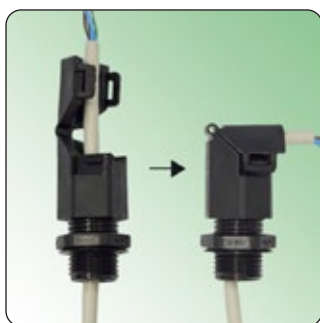
Type: BIN (plastic cable glands)

ARTICLE	description	colour	snap size	mounting hole Ø mm	cable Ø min - max mm	wrench size	H1 mm	H2 mm	ØB mm	ØB2 mm	wall thickness mm	pack pcs
BIN-CP 1604.3.10	cable gland	grey RAL 7035	16	16,2 - 16,4	3 - 10	22	44,5	9	26,5	15,9	0,5 - 4	50
BIN-CP 1605.3.10	cable gland	grey RAL 7001	16	16,2 - 16,4	3 - 10	22	44,5	9	26,5	15,9	0,5 - 4	50
BIN-CP 1606.3.10	cable gland	black RAL 9005	16	16,2 - 16,4	3 - 10	22	44,5	9	26,5	15,9	0,5 - 4	50
BIN-S 1604.5.10	cable gland	grey RAL 7035	16	16,2 - 16,4	5 - 10	22	44,5	9	26,5	15,9	0,5 - 4	50
BIN-S 1605.5.10	cable gland	grey RAL 7001	16	16,2 - 16,4	5 - 10	22	44,5	9	26,5	15,9	0,5 - 4	50
BIN-S 1606.5.10	cable gland	black RAL 9005	16	16,2 - 16,4	5 - 10	22	44,5	9	26,5	15,9	0,5 - 4	50
BIN-CP 2004.3.13	cable gland	grey RAL 7035	20	20,2 - 20,4	3 - 13	25	43,5	9	30,3	19,9	0,5 - 4	50
BIN-CP 2005.3.13	cable gland	grey RAL 7001	20	20,2 - 20,4	3 - 13	25	43,5	9	30,3	19,9	0,5 - 4	50
BIN-CP 2006.3.13	cable gland	black RAL 9005	20	20,2 - 20,4	3 - 13	25	43,5	9	30,3	19,9	0,5 - 4	50
BIN-CP 2004.5.12	cable gland	grey RAL 7035	20	20,2 - 20,4	5 - 12	24	43,5	9	30,3	19,9	0,5 - 4	50
BIN-CP 2005.5.12	cable gland	grey RAL 7001	20	20,2 - 20,4	5 - 12	24	43,5	9	30,3	19,9	0,5 - 4	50
BIN-CP 2006.5.12	cable gland	black RAL 9005	20	20,2 - 20,4	5 - 12	24	43,5	9	30,3	19,9	0,5 - 4	50
BIN-S 2004.6.12	cable gland	grey RAL 7035	20	20,2 - 20,4	6 - 12	24	43,5	9	30,3	19,9	0,5 - 4	50
BIN-S 2005.6.12	cable gland	grey RAL 7001	20	20,2 - 20,4	6 - 12	24	43,5	9	30,3	19,9	0,5 - 4	50
BIN-S 2006.6.12	cable gland	black RAL 9005	20	20,2 - 20,4	6 - 12	24	43,5	9	30,3	19,9	0,5 - 4	50
BIN-S 2004.7.13	cable gland	grey RAL 7035	20	20,2 - 20,4	7 - 13	25	43,5	9	30,3	19,9	0,5 - 4	50
BIN-S 2005.7.13	cable gland	grey RAL 7001	20	20,2 - 20,4	7 - 13	25	43,5	9	30,3	19,9	0,5 - 4	50
BIN-S 2006.7.13	cable gland	black RAL 9005	20	20,2 - 20,4	7 - 13	25	43,5	9	30,3	19,9	0,5 - 4	50
BIN-CP 2504.8.17	cable gland	grey RAL 7035	25	25,2 - 25,4	8 - 17	29	45,5	9	36,3	24,9	0,5 - 4	25
BIN-CP 2505.8.17	cable gland	grey RAL 7001	25	25,2 - 25,4	8 - 17	29	45,5	9	36,3	24,9	0,5 - 4	25
BIN-CP 2506.8.17	cable gland	black RAL 9005	25	25,2 - 25,4	8 - 17	29	45,5	9	36,3	24,9	0,5 - 4	25
BIN-S 2504.11.17	cable gland	grey RAL 7035	25	25,2 - 25,4	11 - 17	29	45,5	9	36,3	24,9	0,5 - 4	25
BIN-S 2505.11.17	cable gland	grey RAL 7001	25	25,2 - 25,4	11 - 17	29	45,5	9	36,3	24,9	0,5 - 4	25
BIN-S 2506.11.17	cable gland	black RAL 9005	25	25,2 - 25,4	11 - 17	29	45,5	9	36,3	24,9	0,5 - 4	25
BIN-CP 3204.11.21	cable gland	grey RAL 7035	32	32,2 - 32,4	11 - 21	36	51,5	9	43,2	31,9	0,5 - 4	25
BIN-CP 3205.11.21	cable gland	grey RAL 7001	32	32,2 - 32,4	11 - 21	36	51,5	9	43,2	31,9	0,5 - 4	25
BIN-CP 3206.11.21	cable gland	black RAL 9005	32	32,2 - 32,4	11 - 21	36	51,5	9	43,2	31,9	0,5 - 4	25
BIN-S 3204.15.21	cable gland	grey RAL 7035	32	32,2 - 32,4	15 - 21	36	51,5	9	43,2	31,9	0,5 - 4	25
BIN-S 3205.15.21	cable gland	grey RAL 7001	32	32,2 - 32,4	15 - 21	36	51,5	9	43,2	31,9	0,5 - 4	25
BIN-S 3206.15.21	cable gland	black RAL 9005	32	32,2 - 32,4	15 - 21	36	51,5	9	43,2	31,9	0,5 - 4	25
BIN-CP 4004.16.28	cable gland	grey RAL 7035	40	40,2 - 40,4	16 - 28	46	58	13,2	55,2	39,9	0,5 - 4	20
BIN-CP 4005.16.28	cable gland	grey RAL 7001	40	40,2 - 40,4	16 - 28	46	58	13,2	55,2	39,9	0,5 - 4	20
BIN-CP 4006.16.28	cable gland	black RAL 9005	40	40,2 - 40,4	16 - 28	46	58	13,2	55,2	39,9	0,5 - 4	20
BIN-S 4004.19.28	cable gland	grey RAL 7035	40	40,2 - 40,4	19 - 28	46	58	13,2	55,2	39,9	0,5 - 4	20
BIN-S 4005.19.28	cable gland	grey RAL 7001	40	40,2 - 40,4	19 - 28	46	58	13,2	55,2	39,9	0,5 - 4	20
BIN-S 4006.19.28	cable gland	black RAL 9005	40	40,2 - 40,4	19 - 28	46	58	13,2	55,2	39,9	0,5 - 4	20
SPI-16	tool	-	16	-	-	-	-	-	-	-	-	50
SPI-20	tool	-	20	-	-	-	-	-	-	-	-	50
SPI-25	tool	-	25	-	-	-	-	-	-	-	-	50
SPI-32	tool	-	32	-	-	-	-	-	-	-	-	50
SPI-40	tool	-	40	-	-	-	-	-	-	-	-	50

Type: BIN-ON (metal cable glands)

ARTICLE	description	snap size	mounting hole Ø mm	cable Ø min - max mm	wrench size	H1 mm	H2 mm	ØB mm	ØB2 mm	wall thickness mm	pack pcs
BIN-ON-S 16.3.7	cable gland	16	16,2 - 16,4	3 - 7	20	47	9	28,3	15,9	0,5 - 4	10
BIN-ON-CP 16.3.10	cable gland	16	16,2 - 16,4	3 - 10	20	47	9	28,3	15,9	0,5 - 4	10
BIN-ON-S 16.5.10	cable gland	16	16,2 - 16,4	5 - 10	20	47	9	28,3	15,9	0,5 - 4	10
BIN-ON-S 20.5.9	cable gland	20	20,2 - 20,4	5 - 9	22	46	9	32,3	19,9	0,5 - 4	10
BIN-ON-CP 20.5.12	cable gland	20	20,2 - 20,4	5 - 12	22	46	9	32,3	19,9	0,5 - 4	10
BIN-ON-S 20.6.12	cable gland	20	20,2 - 20,4	6 - 12	22	46	9	32,3	19,9	0,5 - 4	10
BIN-ON-CP 25.8.17	cable gland	25	25,2 - 25,4	8 - 17	27	48	9	38,5	24,9	0,5 - 4	10
BIN-ON-S 25.9.13	cable gland	25	25,2 - 25,4	9 - 13	27	48	9	38,5	24,9	0,5 - 4	10
BIN-ON-S 25.11.17	cable gland	25	25,2 - 25,4	11 - 17	27	48	9	38,5	24,9	0,5 - 4	10
BIN-ON-S 32.11.15	cable gland	32	32,2 - 32,4	11 - 15	34	56,5	9	45,5	31,9	0,5 - 4	5
BIN-ON-CP 32.11.21	cable gland	32	32,2 - 32,4	11 - 21	34	56,5	9	45,5	31,9	0,5 - 4	5
BIN-ON-S 32.15.21	cable gland	32	32,2 - 32,4	15 - 21	34	56,5	9	45,5	31,9	0,5 - 4	5
BIN-ON-S 40.16.23	cable gland	40	40,2 - 40,4	16 - 23	43	64	13,2	59	39,9	0,5 - 4	5
BIN-ON-CP 40.16.28	cable gland	40	40,2 - 40,4	16 - 28	43	64	13,2	59	39,9	0,5 - 4	5
BIN-ON-S 40.19.28	cable gland	40	40,2 - 40,4	19 - 28	43	64	13,2	59	39,9	0,5 - 4	5
SPI-16	tool	16	-	-	-	-	-	-	-	-	50
SPI-20	tool	20	-	-	-	-	-	-	-	-	50
SPI-25	tool	25	-	-	-	-	-	-	-	-	50
SPI-32	tool	32	-	-	-	-	-	-	-	-	50
SPI-40	tool	40	-	-	-	-	-	-	-	-	50

PLASTIC RIGHT ANGLE 90° CABLE GLANDS WITH FOLD-OVER DESIGN AND INTERNATIONAL CERTIFICATIONS - "HEYCO" LINE



Material: body in Polyamide 6/6, sealing in NBR rubber or TPE.

Colour: black.

Operating

temperature: -40°C / +115°C (Dynamic -20°C / +100°C)

IP Protection: IP 68 (till 5 bar), NEMA 4, 4X, 6 and 6P applications.

Flammability: flame retardant and self-extinguishing UL94-V2.

Standards and

Certifications: CE (metric thread), VDE (metric thread), UL, UR, CSA.

Features: patented cable glands with innovative fold-over design; they are molded in the open position for ease of installation. After cable insertion, the fitting snaps closed bending the cable without damage. This assembly method saves considerable time and money. Part design provides liquid tight integrity even in the open position. No O-Ring required! An integral sealing ring ensures a superior seal at the clearance or threaded mounting hole location, every time. Acme threads on body prevent skipping and speed installation. All Polyamide construction with NBR rubber or TPE sealing gland resists salt water, weak acids, gasoline, alcohol, oil, grease, and common solvents. (This feature is not assessed by UL). We recommend using the cable gland with the smallest maximum diameter that will fit your application. Available with Metric/PG/NPT thread.



Type: LTCG M (Metric thread)

ARTICLE	thread type	thread value	mounting hole Ø mm	cable Ø min - max mm	B mm	H mm	H1 mm	H2 mm	wrench size	pack pcs
RLTCG M12 90 *	Metric	12	12	1,7 - 5,3	17,5	38,8	22	8,1	16	100
LTCG M12 90 *	Metric	12	12	2,9 - 6,4	17,5	38,8	22	8,1	16	100
RLTCG M16 90 *	Metric	16	16	1,7 - 5,8	22,3	44,9	27,1	8,1	20,8	100
LTCG M16 90 *	Metric	16	16	2,7 - 8	22,3	44,9	27,1	8,1	20,8	100
RLTCG M20 90 **	Metric	20	20	2,4 - 7,4	26,9	56,1	35,1	10,4	24,9	100
LTCG M20 90 **	Metric	20	20	4,3 - 11,4	26,9	56,1	35,1	10,4	24,9	100

Type: LTCG PG (PG thread)

ARTICLE	thread type	thread value	mounting hole Ø mm	cable Ø min - max mm	B mm	H mm	H1 mm	H2 mm	wrench size	pack pcs
RLTCG 7 90 *	PG	7	12,5	1,7 - 5,3	17,5	38,8	21,8	8,1	16	100
LTCG 7 90 *	PG	7	12,5	2,9 - 6,4	17,5	38,8	21,8	8,1	16	100
RLTCG 9 90 *	PG	9	15,2	1,7 - 5,8	22,3	44,9	27,1	8,1	20,8	100
LTCG 9 90 *	PG	9	15,2	2,7 - 8	22,3	44,9	27,1	8,1	20,8	100
RLTCG 11 90 *	PG	11	18,6	1,8 - 6,6	25,1	51	31,2	9,7	23,9	100
LTCG 11 90 *	PG	11	18,6	5,8 - 10,2	25,1	51	31,2	9,7	23,9	100
RLTCG 13,5 90 **	PG	13,5	20,4	2,4 - 7,4	26,9	56,1	35,1	10,4	24,9	100
LTCG 13,5 90 **	PG	13,5	20,4	4,3 - 11,4	26,9	56,1	35,1	10,4	24,9	100

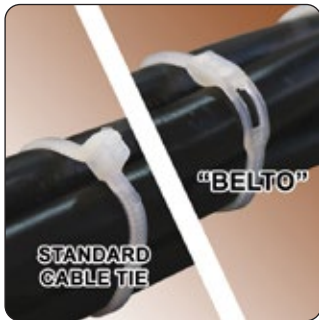
Type: LTCG NPT (NPT thread)

ARTICLE	thread type	thread value	mounting hole Ø mm	cable Ø min - max mm	B mm	H mm	H1 mm	H2 mm	wrench size	pack pcs
RLTCG 1/4 90 *	NPT	1/4"	13,7	1,7 - 5,3	17,5	42,5	22	11,4	16	100
LTCG 1/4 90 *	NPT	1/4"	13,7	2,9 - 6,4	17,5	42,5	22	11,4	16	100
RLTCG 3/8 90 *	NPT	3/8"	17,3	1,7 - 5,8	22,3	48,9	27,1	12,4	20,8	100
LTCG 3/8 90 *	NPT	3/8"	17,3	2,7 - 8	22,3	48,9	27,1	12,4	20,8	100
RLTCG 1/2 90 **	NPT	1/2"	22,2	2,4 - 7,4	26,9	61,2	35,1	15,5	24,9	100
LTCG 1/2 90 **	NPT	1/2"	22,2	4,3 - 11,4	26,9	61,2	35,1	15,5	24,9	100

* Article UR certified.

** Article UL certified.

"BELTO" CABLE TIES WITH FLAT HEAD



EN
45545

Material: halogen-free Polyamide 66.

Colour: natural, black.

Operating

temperature: BELTO -40 °C / + 85 °C (short term +150 °C),
BELTO-HT -40 °C / + 110 °C (short term +180 °C)

Flammability: flame retardant and self-extinguishing UL94-V2.

Standards and

Certifications: EN 45545-2.

Features: their flat and patented fixing head is suitable for any application where the space requirement must be reduced. They integrate perfectly into the volume of the wiring harness. The flat head with no sharp edges also drastically decreases the risk of damage to cables and objects around the ties and eliminates the risk of injuring the users.

These cable ties are equipped with a pre-assembly system allowing closing and re-opening until final tightening.

They stand out also for the notching of the belt which, being external, is not in contact with cables; this allows not to damage cables even when used in environments with high vibrations.

Thanks to their compact design, the "BELTO" cable ties are the ideal solution for fixing in tight spaces (they also allow to accommodate more cables in the same space), as well as in situations in which an aesthetics installation is required.

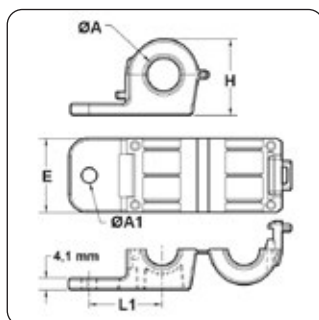
They are available also in the high-temperature type BELTO-HT.

Due to their characteristics and EN 45545-2 certification, "BELTO" cable ties are suitable for use in any environment including the railway industry.

Type: BELTO

ARTICLE	colour	width mm	length mm	max clamping range Ø mm	tensile strength N	pack pcs
BELTO 100/25 NATURALI	natural	2,5	100	21	80	100
BELTO 100/25 NERE	black	2,5	100	21	80	100
BELTO-HT 100/25 NERE	black	2,5	100	21	80	100
BELTO 150/25 NATURALI	natural	2,5	150	38	80	100
BELTO 150/25 NERE	black	2,5	150	38	80	100
BELTO-HT 150/25 NERE	black	2,5	150	38	80	100
BELTO 200/25 NATURALI	natural	2,5	200	50	80	100
BELTO 200/25 NERE	black	2,5	200	50	80	100
BELTO-HT 200/25 NERE	black	2,5	200	50	80	100

HEAVY DUTY PLASTIC LOCKIT P CLAMPS - "HEYCO" LINE



Material: polyamide 66 UL94-V2 (PA 66) or polyamide 66 UL94-V0 (PA 66-V0).

Colour: black, grey.

Operating temperature: max +105°C

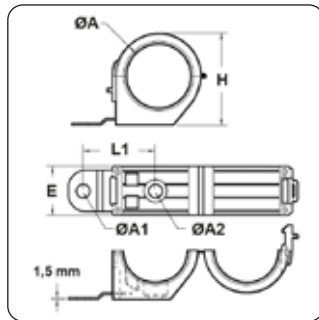
Flammability: flame retardant and self-extinguishing UL94-V2 or UL94-V0.

Features: very sturdy cable clamps suitable for heavy duty applications and where an extra tightness is required. The unique design allows for installation of these clamps to be independent of cable installation. Release feature allows easy and quick opening of the cable clamp for additional cable entry, for serviceability or field maintenance. Inner diameter ribs offer some axial retention. These clamps can be used for a safe and quick installation of cables, wires and corrugated tubing.

Type: HDLCC

ARTICLE	colour	material	ØA mm	ØA1 mm	H mm	E mm	L1 mm	pack pcs.
HDLCC 375-201 BLACK	black	PA 66	9,7	5,1	23,6	25,4	22,1	100
HDLCC 375-201-V0 BLACK	black	PA 66-V0	9,7	5,1	23,6	25,4	22,1	100
HDLCC 375-201 GREY	grey	PA 66	9,7	5,1	23,6	25,4	22,1	100
HDLCC 375-265 BLACK	black	PA 66	9,7	6,9	23,6	25,4	22,1	100
HDLCC 375-265-V0 BLACK	black	PA 66-V0	9,7	6,9	23,6	25,4	22,1	100
HDLCC 375-265 GREY	grey	PA 66	9,7	6,9	23,6	25,4	22,1	100
HDLCC 500-201 BLACK	black	PA 66	12,7	5,1	26,9	25,4	25	100
HDLCC 500-201-V0 BLACK	black	PA 66-V0	12,7	5,1	26,9	25,4	25	100
HDLCC 500-201 GREY	grey	PA 66	12,7	5,1	26,9	25,4	25	100
HDLCC 500-265 BLACK	black	PA 66	12,7	6,9	26,9	25,4	25	100
HDLCC 500-265-V0 BLACK	black	PA 66-V0	12,7	6,9	26,9	25,4	25	100
HDLCC 500-265 GREY	grey	PA 66	12,7	6,9	26,9	25,4	25	100
HDLCC 625-201 BLACK	black	PA 66	16	5,1	29,7	25,4	26,4	100
HDLCC 625-201-V0 BLACK	black	PA 66-V0	16	5,1	29,7	25,4	26,4	100
HDLCC 625-201 GREY	grey	PA 66	16	5,1	29,7	25,4	26,4	100
HDLCC 625-265 BLACK	black	PA 66	16	6,9	29,7	25,4	26,4	100
HDLCC 625-265-V0 BLACK	black	PA 66-V0	16	6,9	29,7	25,4	26,4	100
HDLCC 625-265 GREY	grey	PA 66	16	6,9	29,7	25,4	26,4	100
HDLCC 750-265 BLACK	black	PA 66	19,1	6,9	33	31,8	30,7	100
HDLCC 750-265-V0 BLACK	black	PA 66-V0	19,1	6,9	33	31,8	30,7	100
HDLCC 750-265 GREY	grey	PA 66	19,1	6,9	33	31,8	30,7	100
HDLCC 750-330 BLACK	black	PA 66	19,1	8,4	33	31,8	30,7	100
HDLCC 750-330-V0 BLACK	black	PA 66-V0	19,1	8,4	33	31,8	30,7	100
HDLCC 750-330 GREY	grey	PA 66	19,1	8,4	33	31,8	30,7	100
HDLCC 875-265 BLACK	black	PA 66	22,4	6,9	35,8	31,8	32,3	100
HDLCC 875-265-V0 BLACK	black	PA 66-V0	22,4	6,9	35,8	31,8	32,3	100
HDLCC 875-265 GREY	grey	PA 66	22,4	6,9	35,8	31,8	32,3	100
HDLCC 875-330 BLACK	black	PA 66	22,4	8,4	35,8	31,8	32,3	100
HDLCC 875-330-V0 BLACK	black	PA 66-V0	22,4	8,4	35,8	31,8	32,3	100
HDLCC 875-330 GREY	grey	PA 66	22,4	8,4	35,8	31,8	32,3	100
HDLCC 1000-265 BLACK	black	PA 66	25,4	6,9	39,1	31,8	34,5	100
HDLCC 1000-265-V0 BLACK	black	PA 66-V0	25,4	6,9	39,1	31,8	34,5	100
HDLCC 1000-265 GREY	grey	PA 66	25,4	6,9	39,1	31,8	34,5	100
HDLCC 1000-330 BLACK	black	PA 66	25,4	8,4	39,1	31,8	34,5	100
HDLCC 1000-330-V0 BLACK	black	PA 66-V0	25,4	8,4	39,1	31,8	34,5	100
HDLCC 1000-330 GREY	grey	PA 66	25,4	8,4	39,1	31,8	34,5	100

HEAVY DUTY METAL LOCKIT P CLAMPS WITH STEEL MOUNTING TAB - "HEYCO" LINE



Material: clamp in polyamide 66, mounting tab in stainless steel AISI 304 or in zinc plated steel.

Colour: black.

Operating

temperature: max +105°C

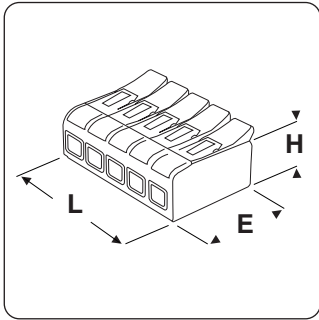
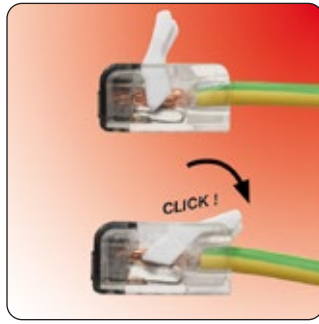
Flammability: flame retardant and self-extinguishing UL94-V2.

Features: very large and sturdy cable clamps suitable for heavy duty applications and where an extra tightness is required. The unique design allows for installation of these clamps to be independent of cable installation. Release feature allows easy and quick opening of the cable clamp for additional cable entry, for serviceability or field maintenance. Steel mounting tab provides reliable and long-lasting hold in harsh environments. Extra mounting hole inside of clamp (A2) provides anti-rotational benefit. Inner diameter ribs offer some axial retention. These clamps can be used for a safe and quick installation of cables, wires and corrugated tubing.

Type: HDLCC-A

ARTICLE	specification	ØA mm	ØA1 mm	ØA2 mm	H mm	E mm	L1 mm	pack pcs.
HDLCC 1500-410 AI	stainless steel tab	38,1	10,4	20,8	57,4	38,1	48,3	40
HDLCC 1500-410 AZ	zinc plated steel tab	38,1	10,4	20,8	57,4	38,1	48,3	40
HDLCC 2000-410 AI	stainless steel tab	50,8	10,4	17,8	71,6	38,1	55,6	30
HDLCC 2000-410 AZ	zinc plated steel tab	50,8	10,4	17,8	71,6	38,1	55,6	30
HDLCC 3000-410 AI	stainless steel tab	76,2	10,4	20,8	97,3	38,1	68,1	10
HDLCC 3000-410 AZ	zinc plated steel tab	76,2	10,4	20,8	97,3	38,1	68,1	10

WIRE CONNECTORS WITHOUT SCREWS "CLICK-FAST" FOR 2/3/5 CABLES



Material: body in polycarbonate, levers in polyamide.

Colour: transparent body with white levers.

Operating temperature: max +85°C

Flammability: flame retardant and self-extinguishing UL94-V2.

Standards and

Certifications: CE, VDE, ENEC, EN 60998-1 and 60998-2-2 compliant.

Features: innovative wire connectors with quick and easy cable clamping by means of "click" levers which replace the classic screws. The clamping tightness of these connectors is equal to that of the screw connectors. They are suitable for both flexible and rigid cables from 0,2 to 4 mm² (stripping length: 11 mm). They can also be used with cables with end-sleeves already mounted; with both these cables and the rigid ones there is no need to open the levers, but just push-in the cables directly inside the connectors. Max voltage 450V (AC/DC), max current carrying capacity 32A. Separate voltage test access on rear. RoHS compliant.



Type: MCF (with "CLICK-FAST" levers)

ARTICLE	specification	L mm	E mm	H mm	weight g.	pack pcs.
MCF-2	2 cables	13	21	11	2,2	100
MCF-3	3 cables	19	21	11	3,2	50
MCF-5	5 cables	30	21	11	5,2	25

NOTES

A large grid of graph paper for taking notes, consisting of a uniform pattern of small squares.

NOTES

A large grid of graph paper for taking notes, consisting of a uniform pattern of small squares covering most of the page.

Scan the QR code for a fast access to
Elektrozubehör's products.



www.elektrozubehor.it

ELEKTROZUBEHÖR SPA

Head office:

Via F.lli Bronzetti, 24 – 20129 MILANO (Italy)

Logistic center and Point of sale:

Via Cadorna, 66/A – 20055 VIMODRONE (Italy)

Tel: 02 701471 - Fax: 02 70147247 - E-mail: info@elektrozubehor.it

For free samples: campioni@elektrozubehor.it

For price requests: offerte@elektrozubehor.it

For orders: ordini@elektrozubehor.it